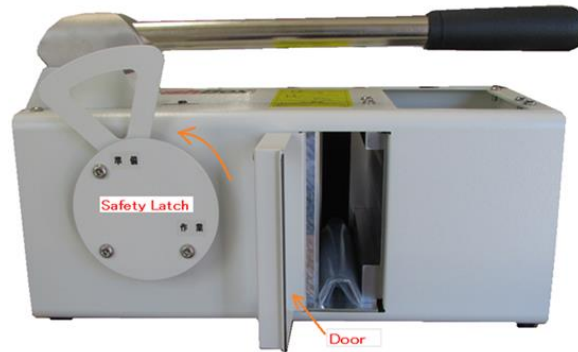


Quick Start Guide HDB-30V-E

-1. OPERATING

1. Rotate the safety Latch to the "Load / Unload" position.
(Change the writing on the image to conform to change).



2. Open the door.

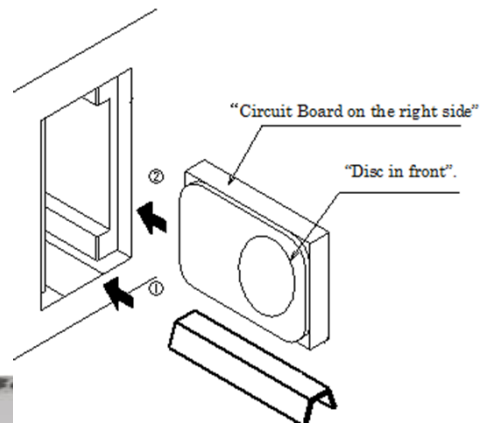
HDB-30V-E

3. Insert the HDD. Change the graphic image writing by having arrows point to Disc with statement "Disc in front".

Then another arrow with statement

"Circuit Board on the right side"

4. Close the door



Job is not completed!

5. Rotate the Safety Latch to the "Work" position

6. Lift and push the "Operation Lever"

Up and down until the red indicator Pin pops out.

Finished



-2.TROUBLE SHOOTING

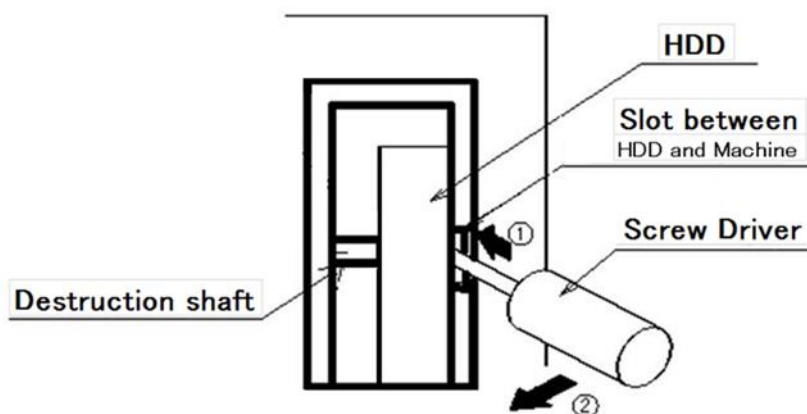
If the "Destruction Shafts" get stuck in the HDD and do not retract;

1. Insert a flat-head screw driver between the right side on the HDD and the wail of the "Work Chamber"

2. Use the screw driver as a lever to push the HDD TOWARD the Destruction Shafts.

(I recommend a picture should be exerted.)

3. Continue until the shafts disengage from the HDD.



If you insert the HDD incorrectly, the Destruction Shafts may be damaged
Refer to the manual for further information.